



SN.

Dr. Jekyll & Mr. Hyde[®]

THE EXHAUST

MANUAL : HARLEY-DAVIDSON[®] | SMARTBOX 2

NEW IN THIS MANUAL:

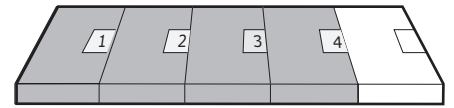
- 2021 MODEL
- PLUG & PLAY POWER CABLE
- O2 SENSOR EXTENDER



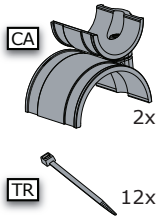
Breakout
Fat Boy
2021->

1

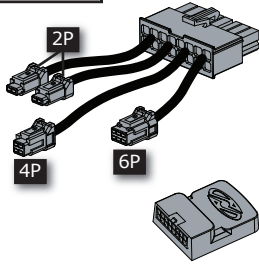
Breakout/Fat Boy 2021-> Smartbox 2



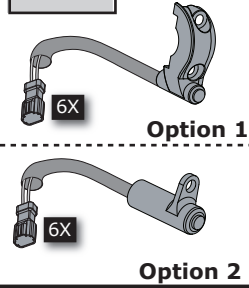
1 Assembly Kit



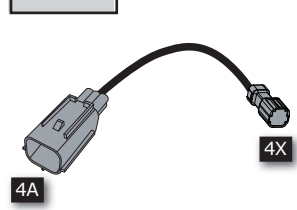
2 Smartbox 2



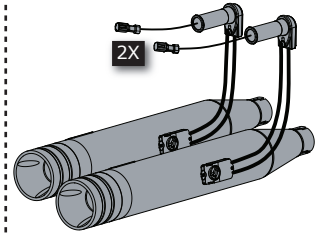
3 Mode Switch for Smartbox



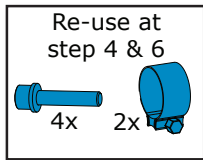
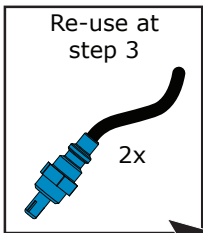
4 Smartbox Power Cable



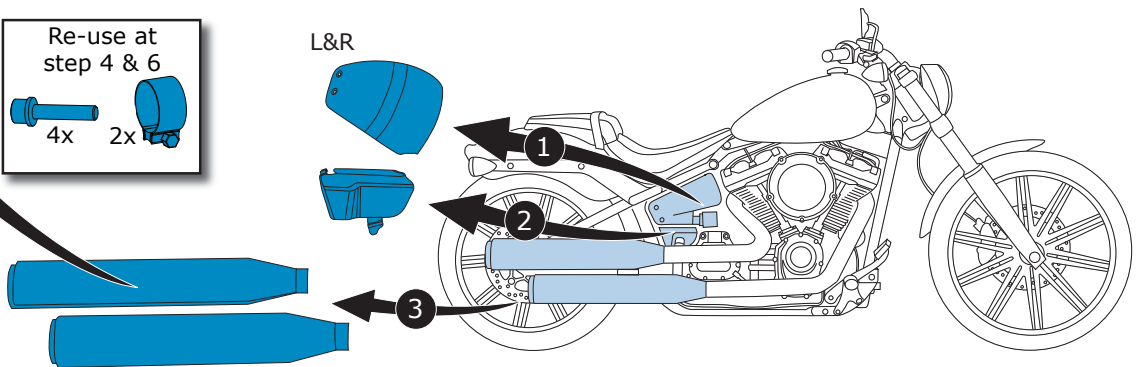
Exhaust/Cable/Servo System



2

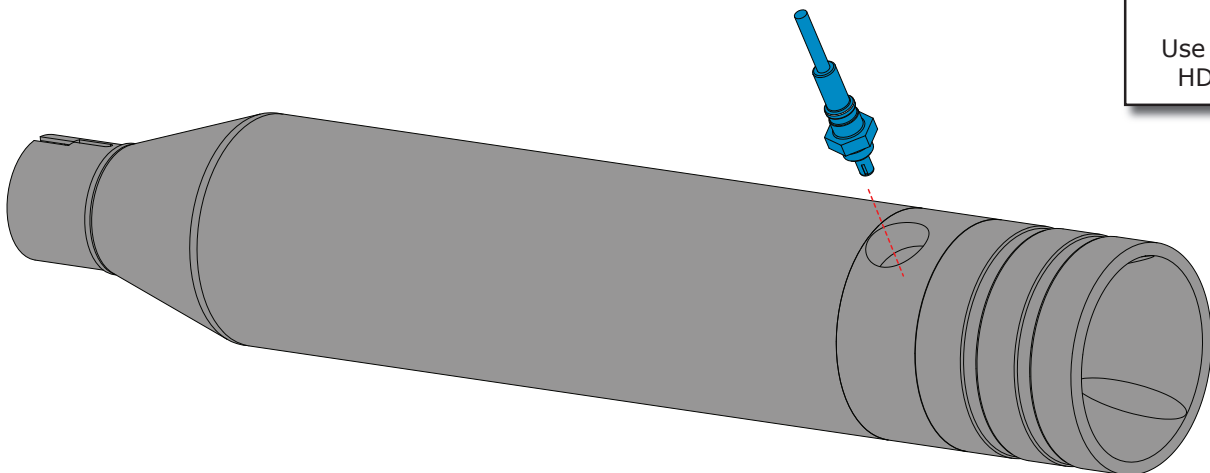


L&R



3

Re-install oxygen sensors Upper- & lower exhaust

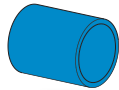


Upper exhaust oxygen sensor = gray
Lower exhaust oxygen sensor = black



4

Install upper exhaust



- HD part nr. 65900017

GA
1x

2 Attach exhaust to OEM bracket

OEM



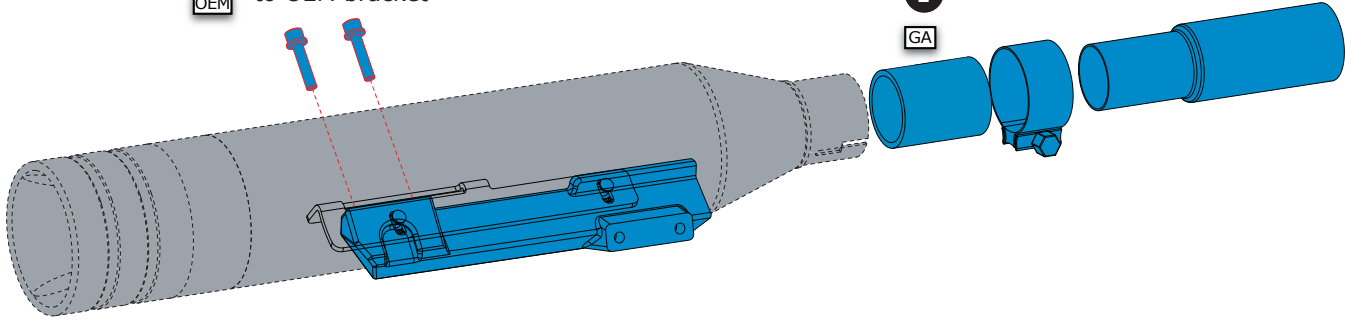
Slide exhaust on OEM header

1

GA

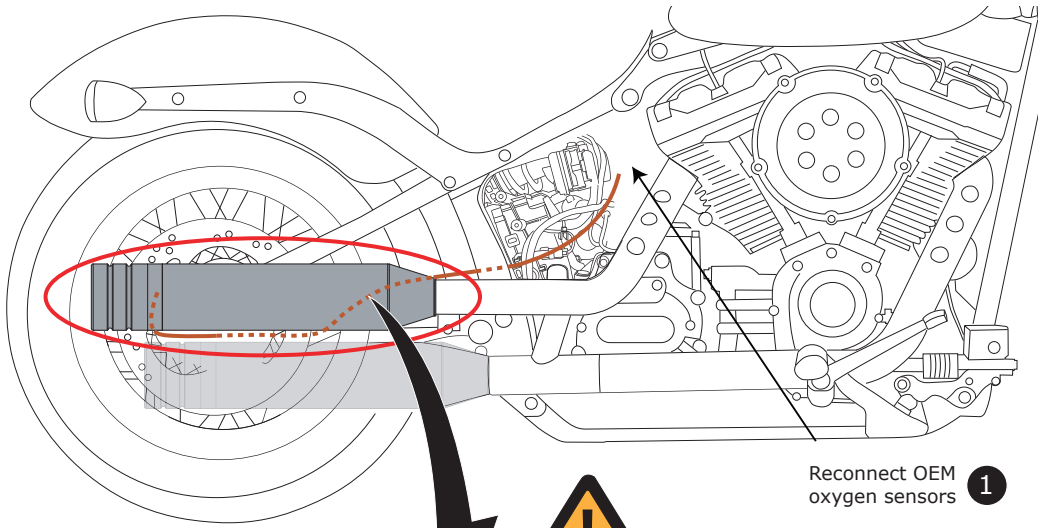
OEM
10Nm
7lbf ft
330 mm
136 in
2x

2



5

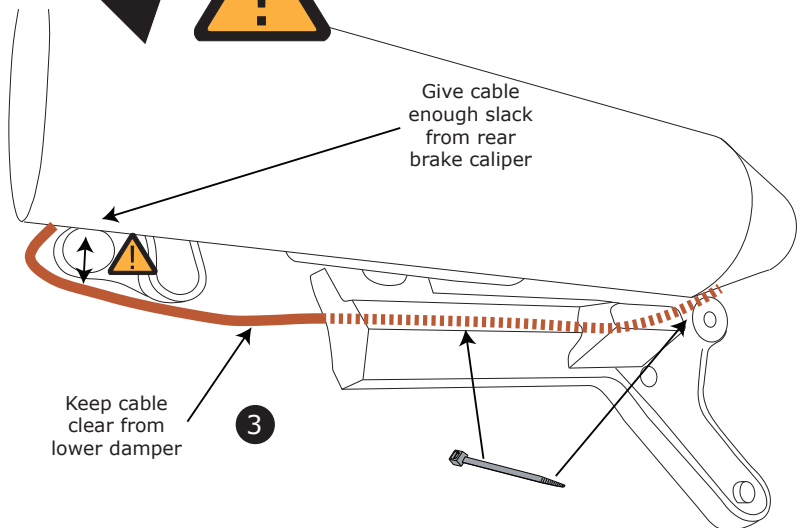
Upper exhaust O2 sensor cable (gray) routing



Reconnect OEM oxygen sensors 1



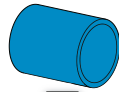
Give cable enough slack from rear brake caliper



Keep cable clear from lower damper 3

6

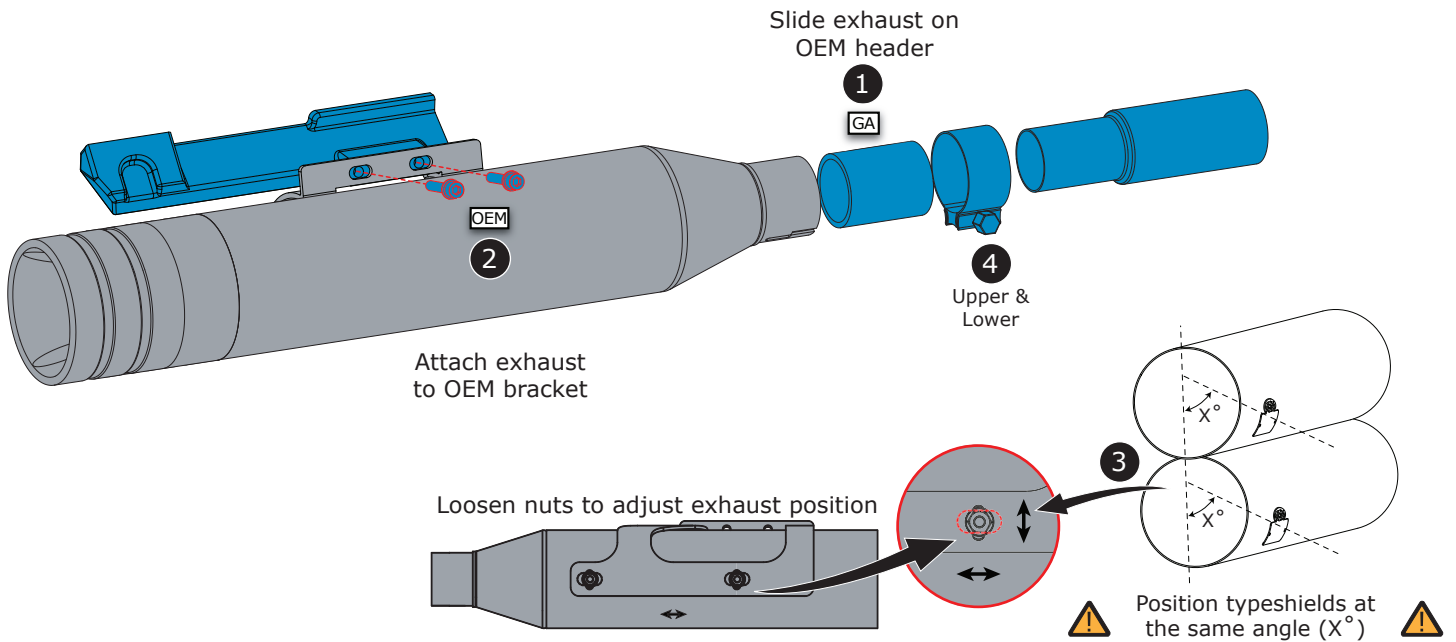
Install lower exhaust



- HD part nr. 65900017

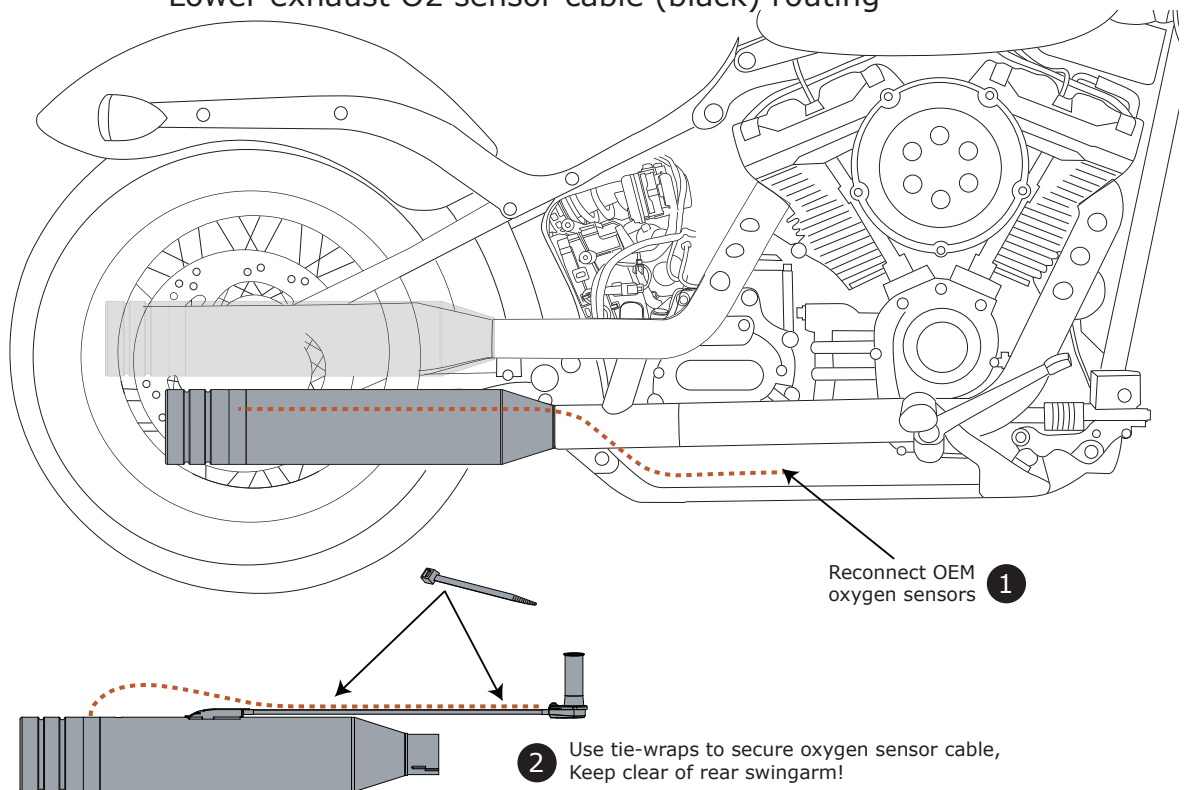
GA
1x

OEM 10Nm 7lbf ft 300 km 186 mi 2x	N1 10Nm 7lbf ft 300 km 186 mi 4x	OEM 30Nm 22lbf ft 300 km 186 mi 2x
2	3	4

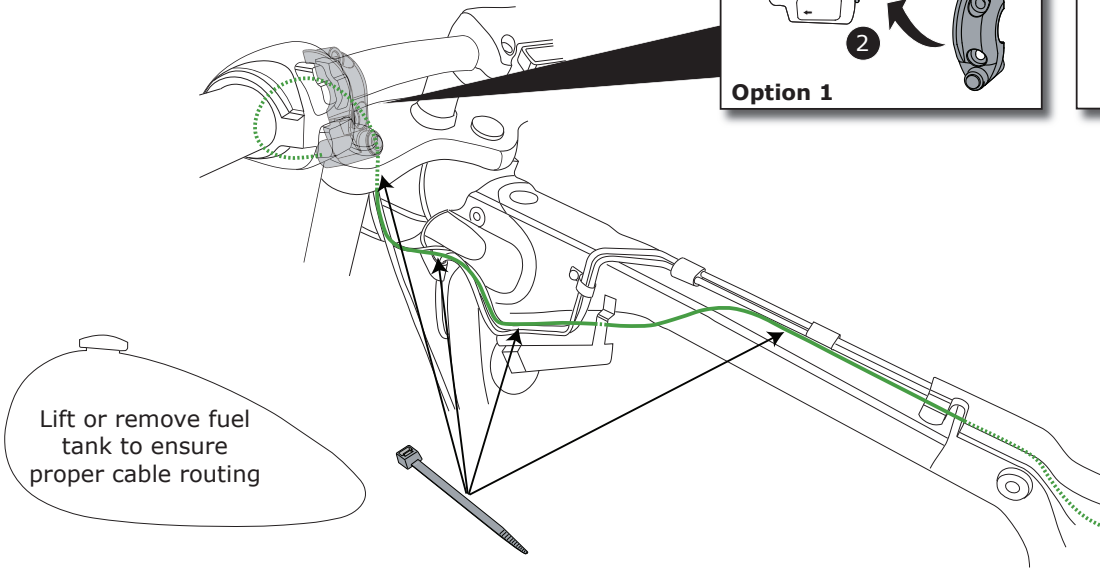
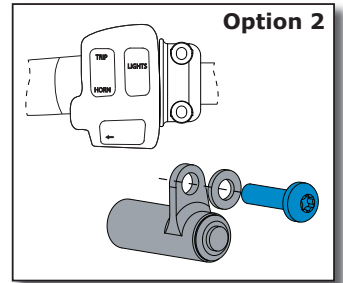
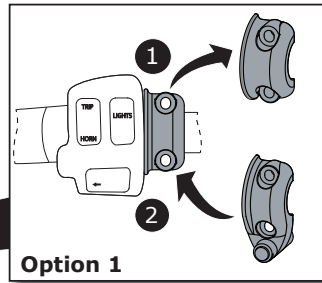
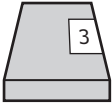


7

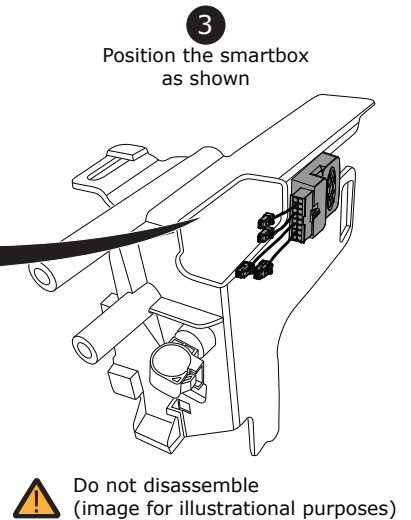
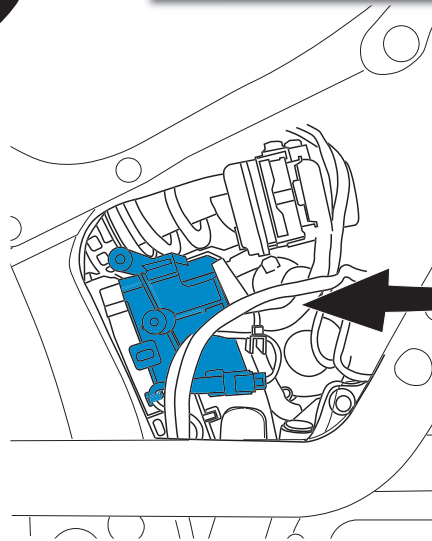
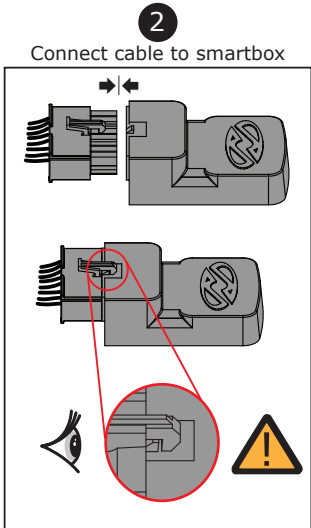
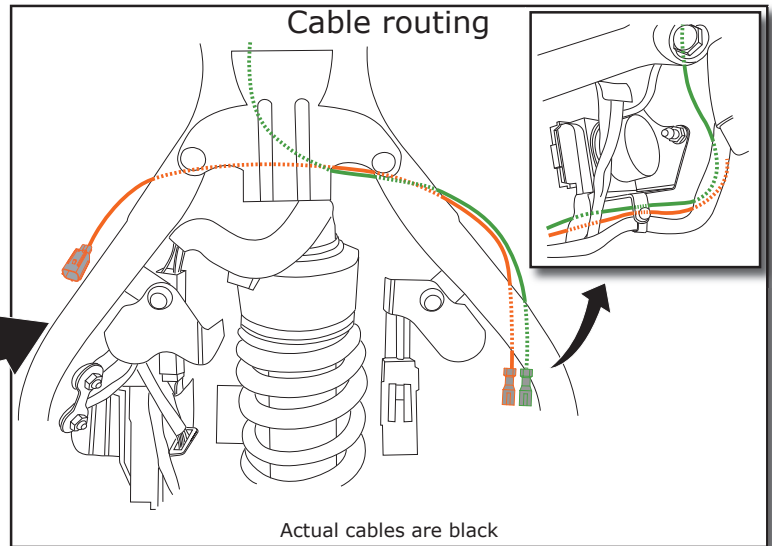
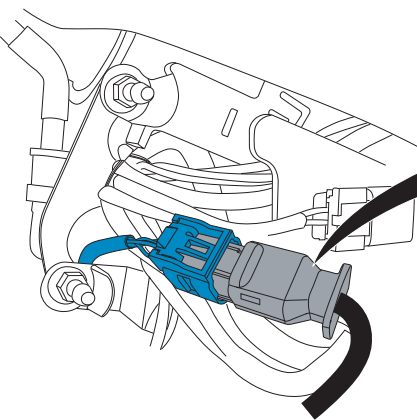
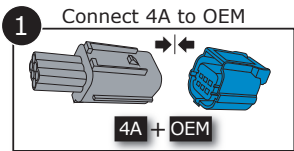
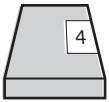
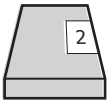
Lower exhaust O2 sensor cable (black) routing



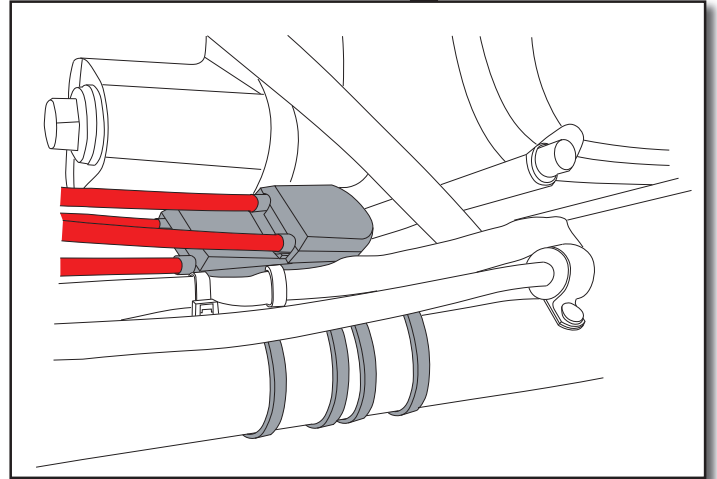
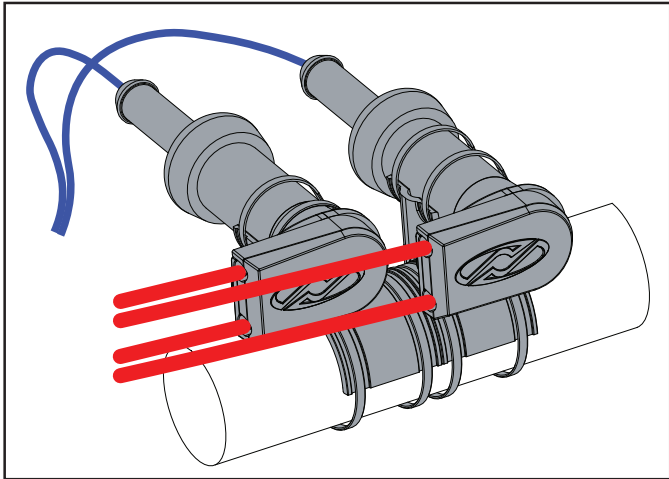
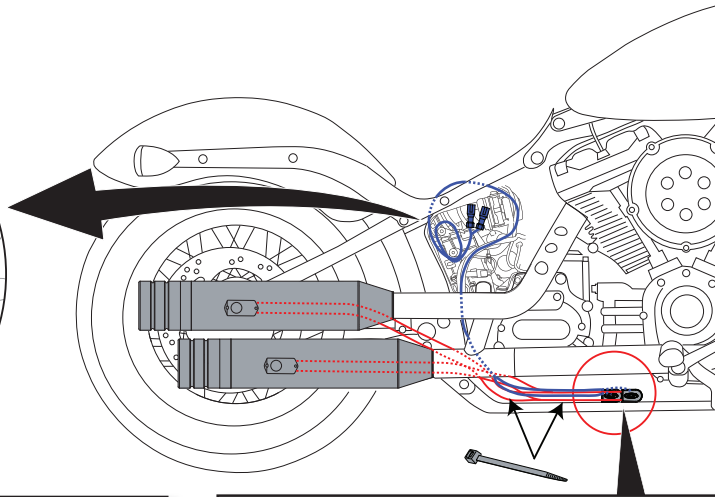
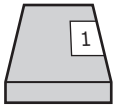
8



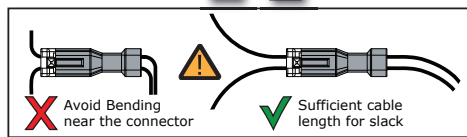
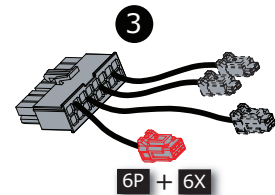
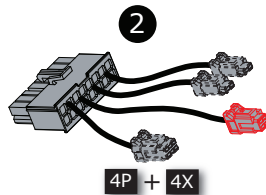
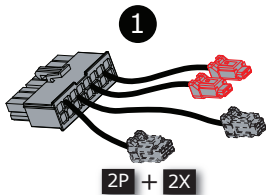
9



10



11



12

Complete System Check!

